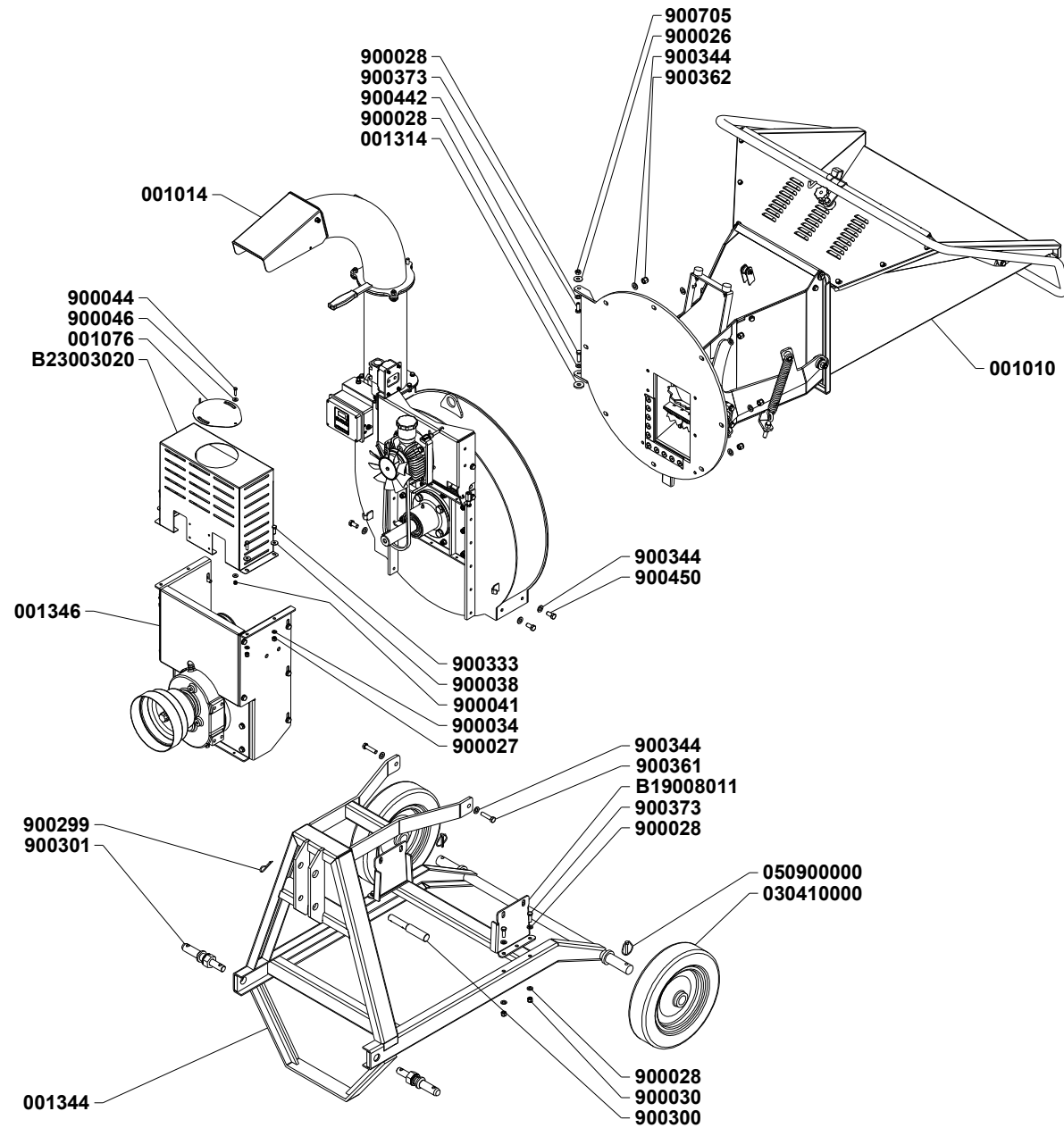


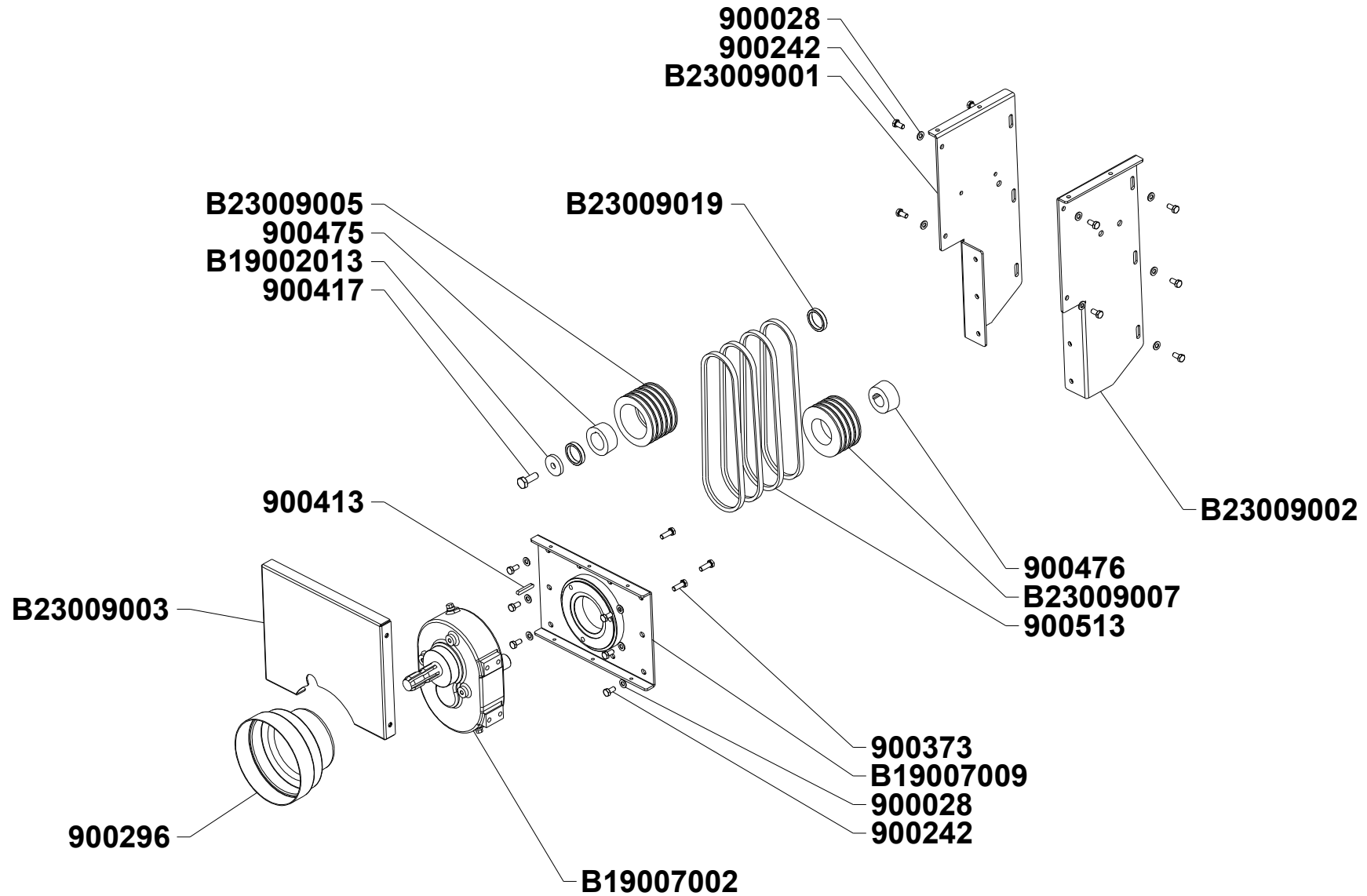
Bio 235 T**TAB. 1 – PTO machine Assembly**

Pos.	Description	No.	Code
1	Hopper & Feed Roller Assembly (TAB. 3)	1	001010
2	Self lock nut M12	7	900362
3	Washer \varnothing 12x24	12	900344
4	Nut M10	1	900705
5	Washer \varnothing 10x30	1	900026
6	Washer \varnothing 10x20	10	900028
7	Screw TE M10x30	5	900373
8	Screw TE M10x35	1	900442
9	Washer \varnothing 35x10,5x5	1	001314
10	Chipper box Assembly (TAB. 8)	1	001014
11	Screw TE M12x25	4	900450
12	Washer \varnothing 6x18	2	900046
13	Screw Te M6x25	1	900044
14	Hydraulic tank cover	1	001076
15	Pump cover	1	B23003020
16	Screw TE M8x25	4	900333
17	Washer \varnothing 8x24	4	900038
18	Self lock nut M6	1	900041
19	PTO Transmission (TAB. 2a-2b)	1	001346
20	Washer \varnothing 8x16	4	900034
21	Self lock nut M8	4	900027
22	Pin R4	1	900299
23	3 rd Point rod	2	900301
24	PTO frame	1	001344
25	Self lock nut M10	4	900030
26	Rod	1	900300
27	Screw TE M12x50	2	900361
28	Machine support	2	B19008011
29	Circlip \varnothing 7	2	050900000
30	Wheel	2	030410000



Bio 235 T**TAB. 2a – PTO Transmission (standard)**

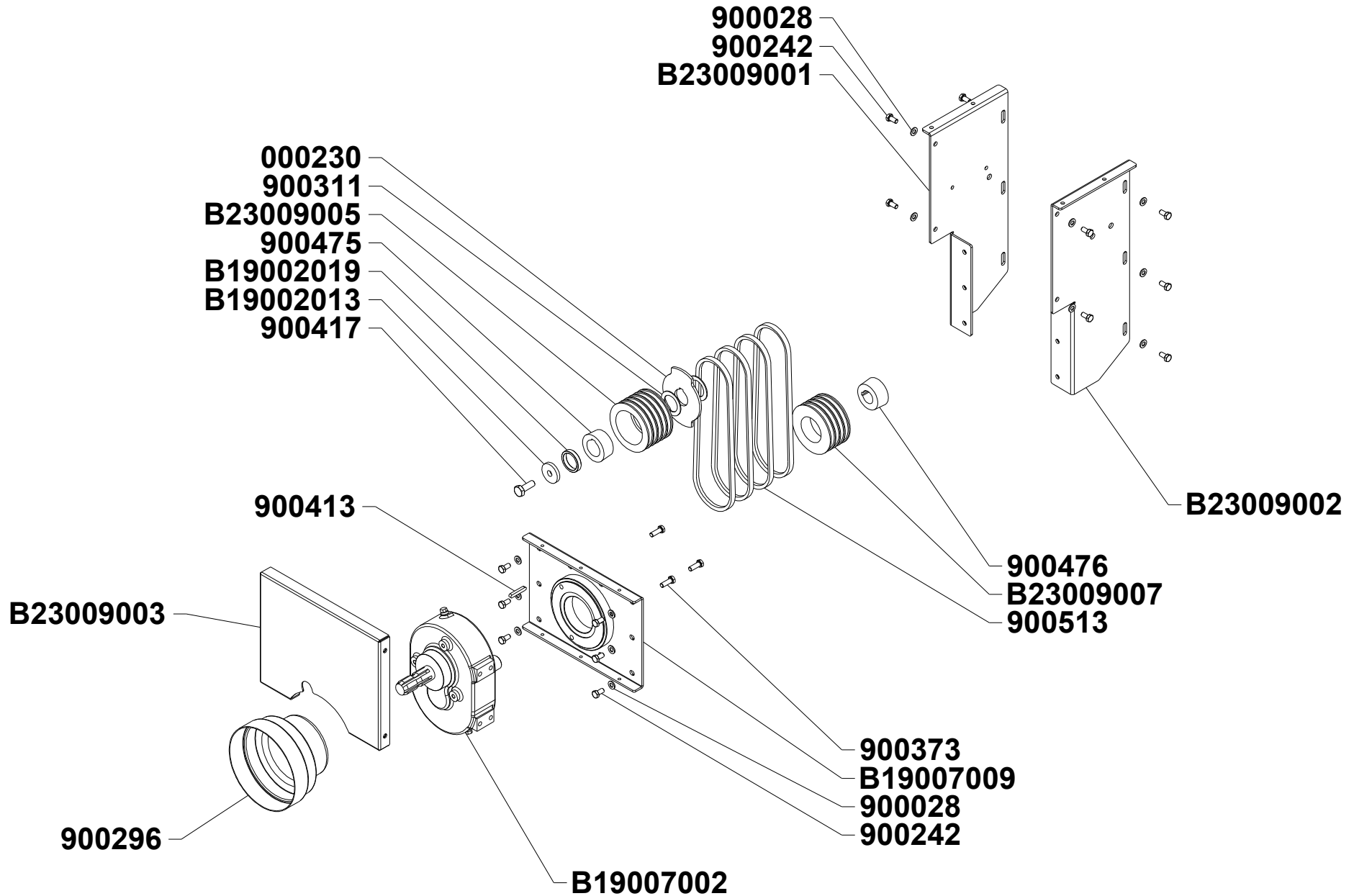
Pos.	Description	No.	Code
1	Front cover	1	B23009003
2	Left frame	1	B23009002
3	Right frame	1	B23009001
4	Washer $\varnothing 10 \times 20$	16	900028
5	Screw TE M10x20	16	900242
6	Gearbox plate	1	B19007009
7	Gearbox Comer	1	B19007002
8	Screw TE M10x30	3	900373
9	Key 8x7x50	1	900413
10	Bush 2012 $\varnothing 33$	1	900476
11	Pulley 4B 118	1	B23009007
12	Bush 2012 $\varnothing 42$	1	900475
13	Pulley 5B 118	1	B23009005
14	Spacer H=10	2	B23009019
15	Retainer washer	2	B19002013
16	Screw TE M14x40	1	900417
17	Belt SPA-36	4	900513
18	PTO protection	1	900296



Bio 235 T**TAB. 2b – PTO Transmission (with no-stress)**

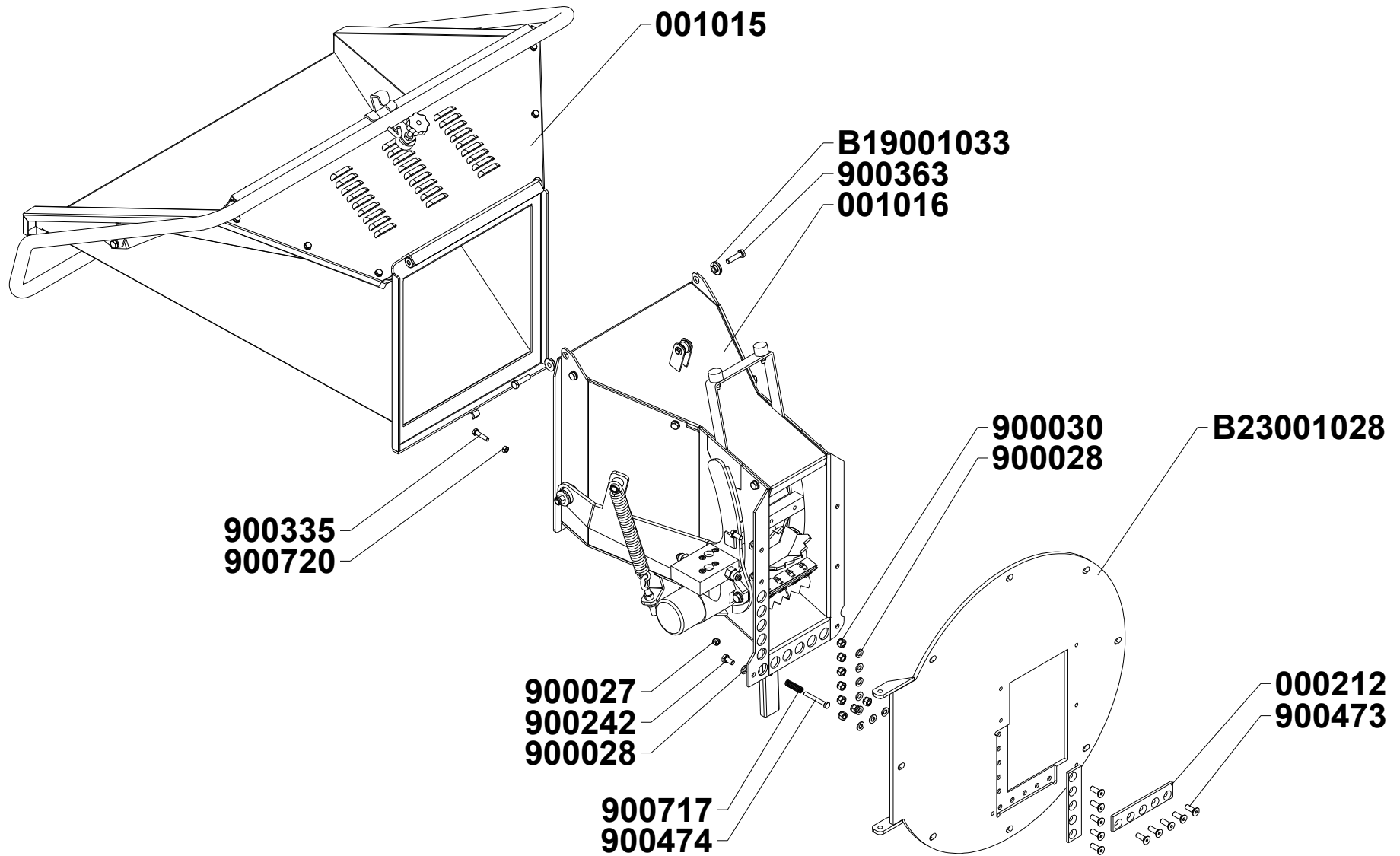
Pos.	Description	No.	Code
1	Front cover	1	B23009003
2	Left frame	1	B23009002
3	Right frame	1	B23009001
4	Washer $\varnothing 10 \times 20$	16	900028
5	Screw TE M10x20	16	900242
6	Gearbox plate	1	B19007009
7	Gearbox Comer	1	B19007002
8	Screw TE M10x30	3	900373
9	Key 8x7x50	1	900413
10	Bush 2012 $\varnothing 33$	1	900476
11	Pulley 4B 118	1	B23009007
12	Bush 2012 $\varnothing 42$	1	900475
13	Pulley 5B 118	1	B23009005
14	Spacer H=10	1	B23009019
15	Retainer washer	2	B19002013
16	Screw TE M14x40	1	900417
17	Belt SPA-36	4	B23004022
18	PTO protection	1	900296
19	Spacer $\varnothing 52 \times 42 \times 2^*$	2	900311
20	Counter-revs disc*	1	000230

* Optional item



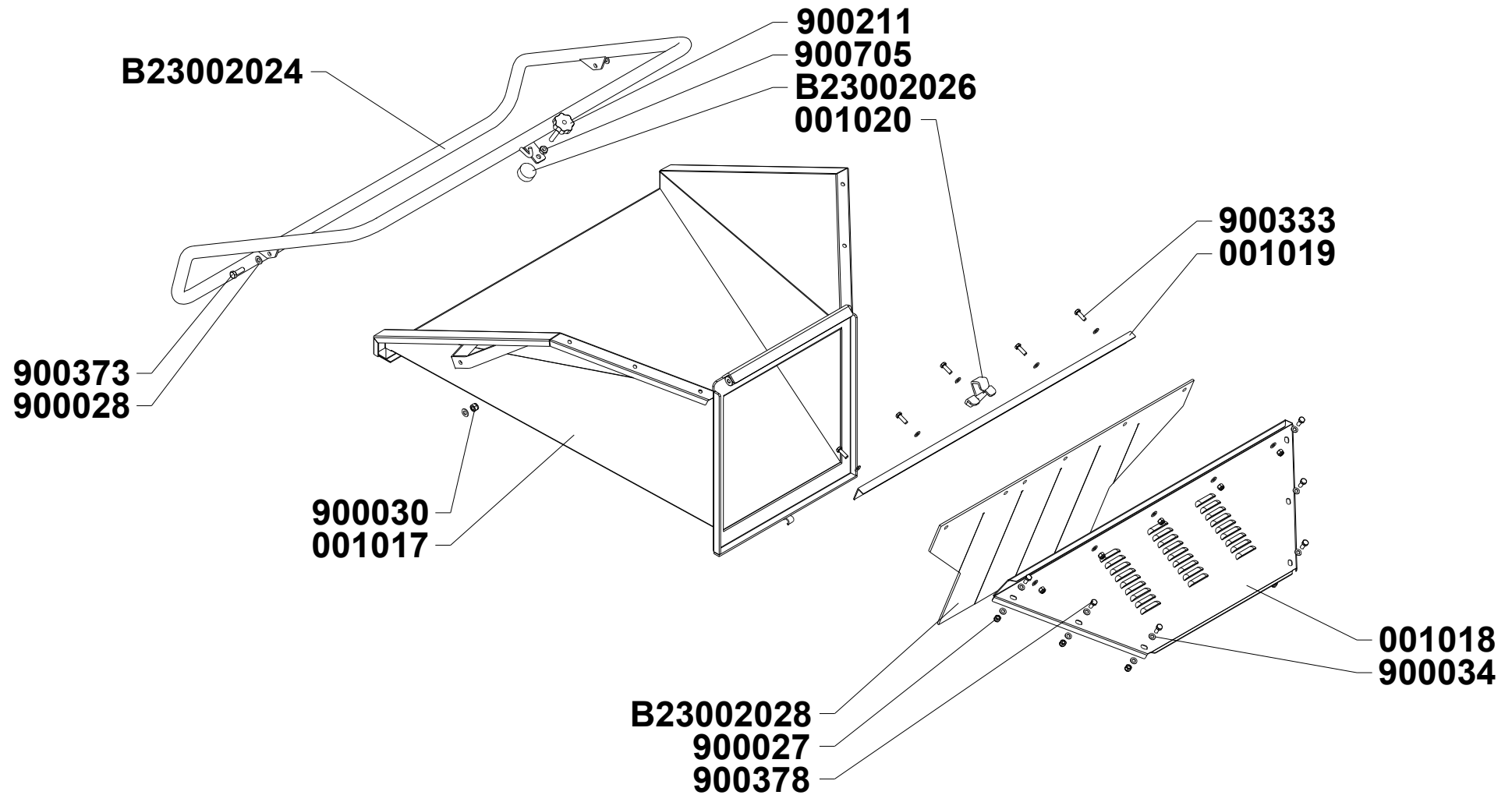
Bio 235 T**TAB. 3 – Hopper & feed roller Assembly**

Pos.	Description	No.	Code
1	Hopper Assembly (TAB. 4)	1	001015
2	Feed roller box Assembly (TAB. 5)	1	001016
3	Lock	2	B19001033
4	Screw TE M10x40	2	900363
5	Nut M8	2	900720
6	Screw TE M8x35	1	900335
7	Screw TE M8x65	1	900474
8	Self lock nut M8	1	900027
9	Spring	1	900717
10	Flange	1	B23001028
11	Counter blade	2	000212
12	Washer ø10x20	16	900028
13	Screw TE M10x20	6	900242
14	Self lock nut M10	10	900030
15	Screw TSPEI M10x30	10	900473



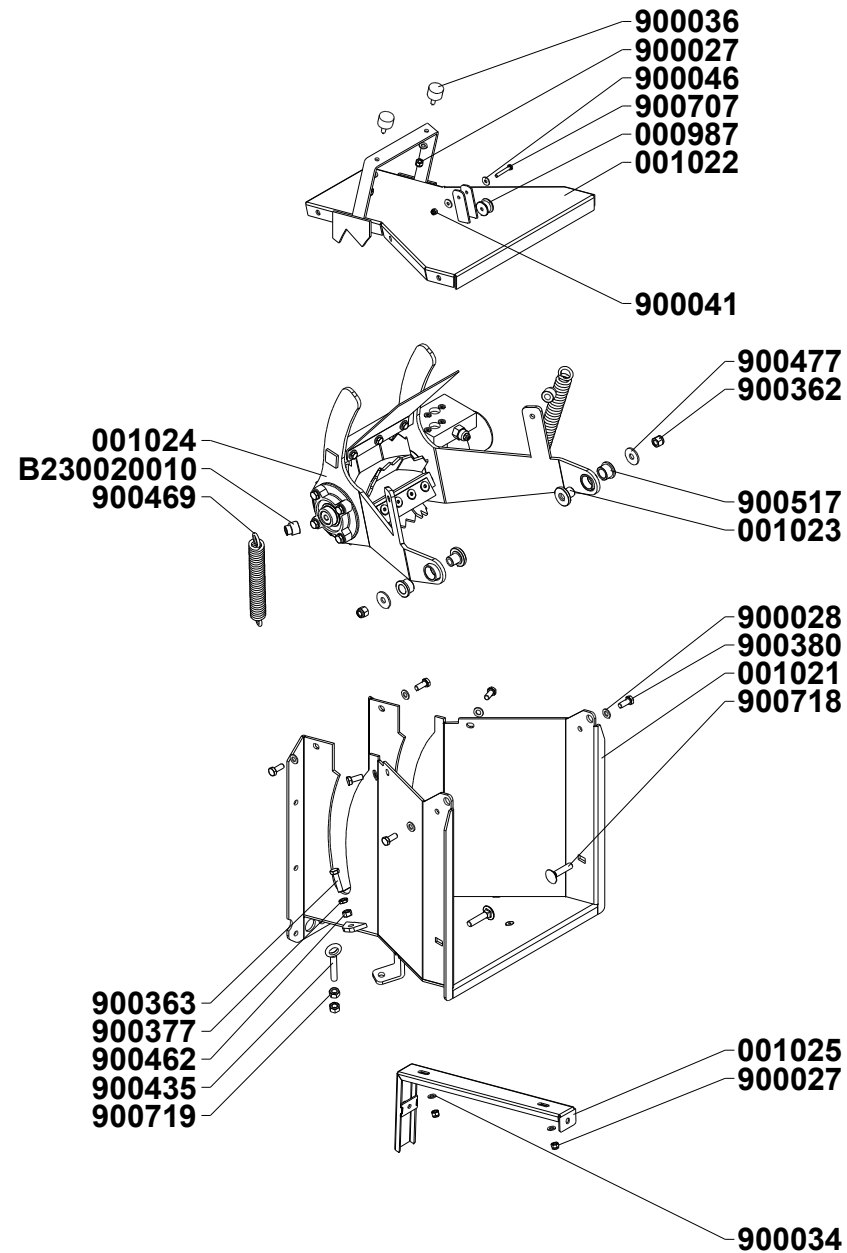
Bio 235 T**TAB. 4 – Hopper Assembly**

Pos.	Description	No.	Code
1	Hopper	1	001017
2	Hopper cover	1	001018
3	Plate	1	001019
4	Handle	1	B23002024
5	Washer \varnothing 10x20	4	900028
6	Self lock nut M10	2	900030
7	Screw TE M10x30	2	900373
8	Washer \varnothing 9x16	22	900034
9	Self lock nut M8	11	900027
10	Screw TE M8x25	5	900333
11	Screw TE M8x20	6	900378
12	Hook	1	001020
13	Elastic support \varnothing 40x20 M8 F	1	B23002026
14	Knob 6E M10x60	1	900211
15	Nut M10	1	900705
16	Protection rubber	1	B23002028



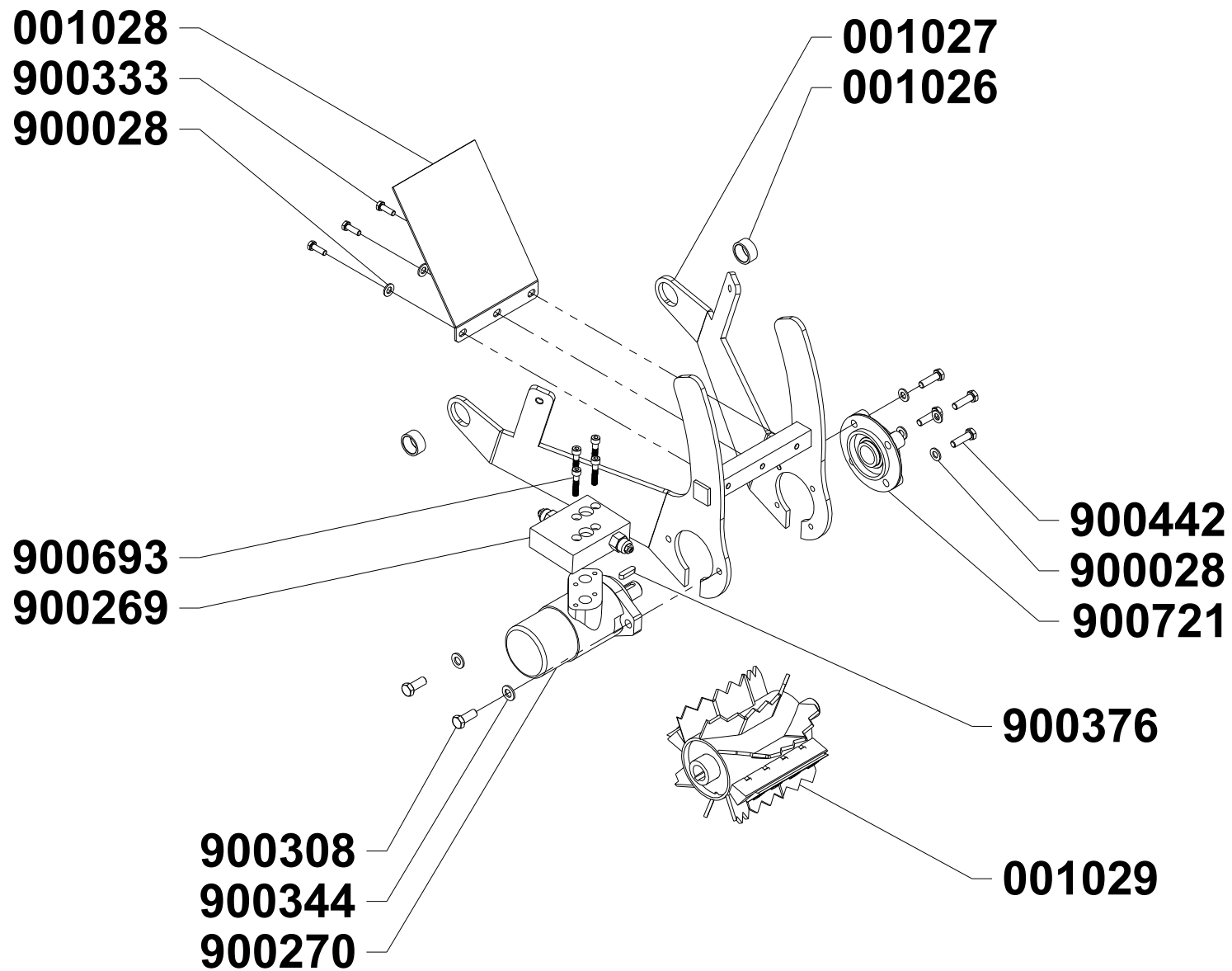
Bio 235 T**TAB. 5 – Feed roller box Assembly**

Pos.	Description	No.	Code
1	Feed roller box	1	001021
2	Feed roller box cover	1	001022
3	Screw TB M12x55	2	900718
4	Bush	2	001023
5	Bush with collar ø20	2	900517
6	Washer ø12x36	2	900477
7	Self lock nut M12	2	900362
8	Feed roller and frame Assembly (TAB. 6)	1	001024
9	Washer ø10x20	6	900028
10	Screw TE M10x25	6	900380
11	Aluminium pulley	1	000987
12	Washer ø6x18	2	900046
13	Self lock nut M12	1	900041
14	Screw TE M6x40	1	900707
15	Elastic support ø40x20 M8 M	2	900036
16	Washer ø8x16	4	900034
17	Self lock nut M8	4	900027
18	Rod	2	B230020010
19	Spring	2	900469
20	Eyebolt M12	2	900435
21	Nut M12	4	520004012
22	Screw TE M10x40	2	900363
23	Switch lever	1	001025
24	Nut M10 (high)	2	900462
25	Nut M10 (low)	2	900377



Bio 235 T**TAB. 6 – Feed roller and frame**

Pos.	Description	No.	Code
1	Feed roller frame	1	001027
2	Feed roller cover	1	001028
3	Washer \varnothing 10x20	7	900028
4	Screw TE M8x25	3	900333
5	Bush ring	2	001026
6	Bearing UCFC 206	1	900721
7	Screw TE M10x35	4	900442
8	Feed roller with blades (TAB. 7)	1	001029
9	Hydraulic motor OP 400	1	900270
10	Washer \varnothing 12x24	2	900344
11	Screw TE M12x30	2	900308
12	Key 8x7x30	1	900376
13	Hydraulic valve	1	900269
14	Screw TCEI M8x40	4	900693



Bio 235 T

TAB. 7 – Feed roller with blades

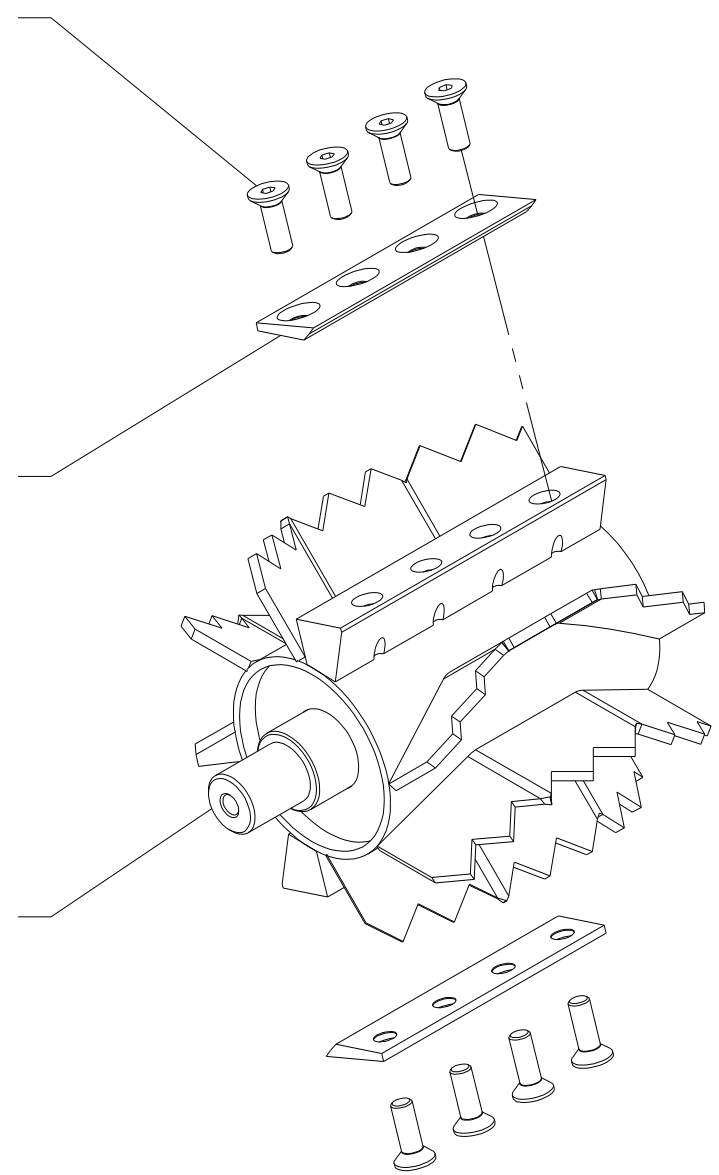


Pos.	Description	No.	Code
1	Blade	2	000042
2	Screw TSPEI M10x30	8	900473
3	Feed roller Assembly	1	001030

900473

000042

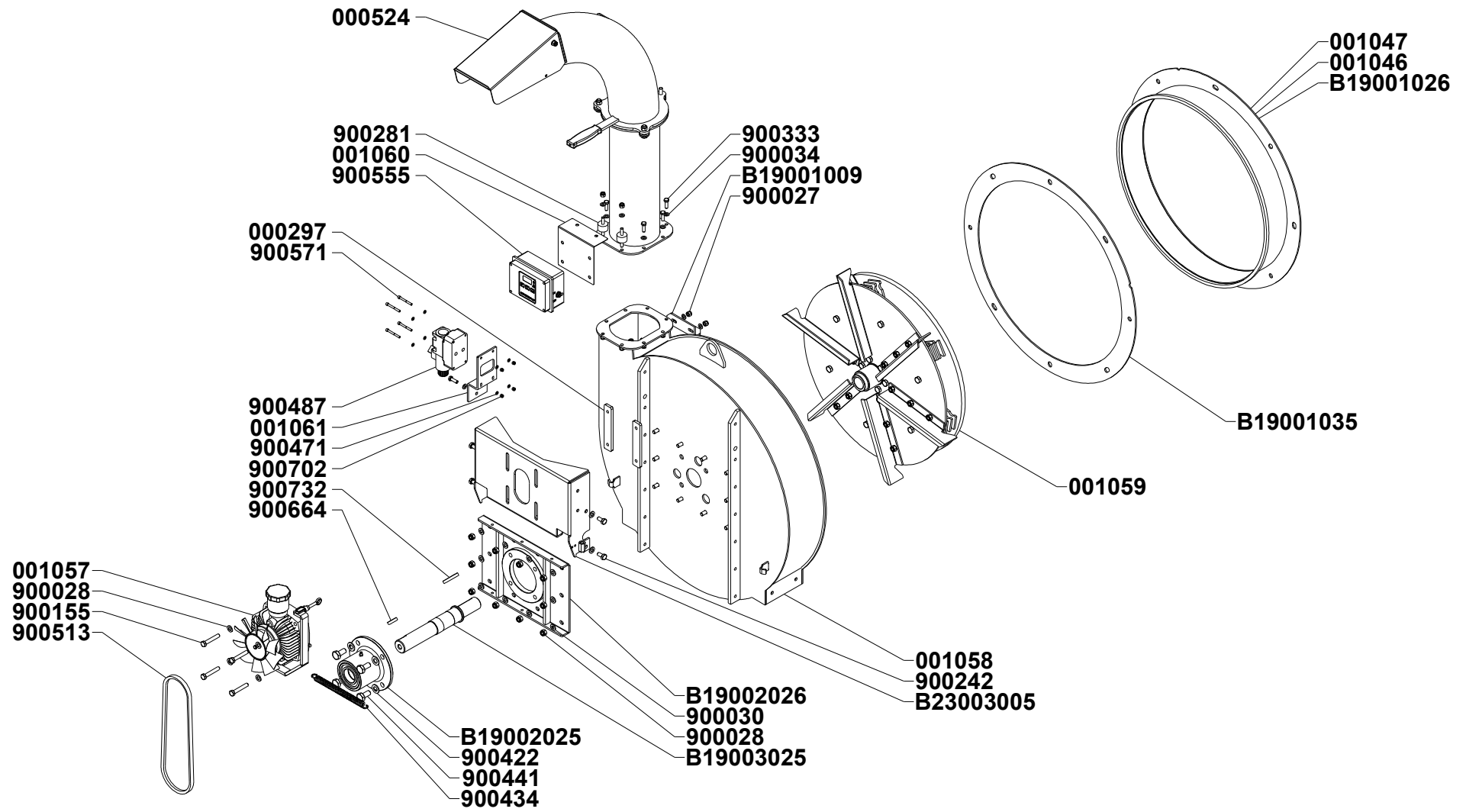
001030



Bio 235 T**TAB. 8 – Chipper box Assembly**

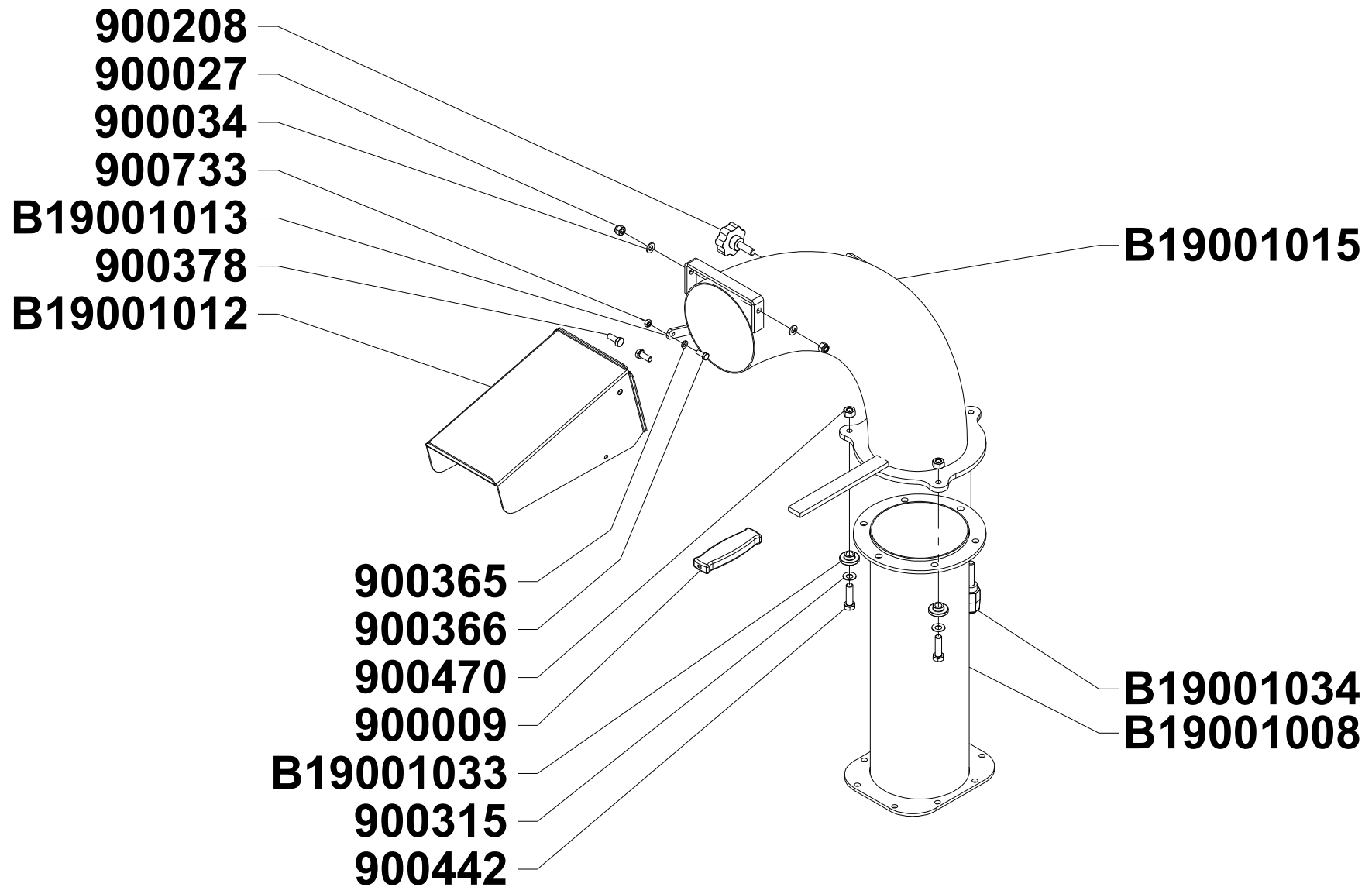
Pos.	Description	No.	Code
1	Chipper box	1	001058
2	Exhaust pipe Assembly (TAB. 9)	1	000524
3	Plate (transmission)	1	B19002026
4	Transmission flange (TAB. 10a-10b)	1	001348
5	Rotor Assembly (TAB. 11)	1	001059
6	Washer $\varnothing 14 \times 28$	4	900422
7	Screw TE M14x30	4	900441
8	Washer $\varnothing 10 \times 20$	18	900028
9	Self lock nut M10	10	900030
10	Pump support	1	B23003005
11	Pump Assembly (TAB. 12)	1	001057
12	Plate (pump)	2	000297
13	Screw TE M10x20	4	900242
14	Screw TE M10x60	4	900155
15	Belt SPA-36	1	900513
16	Elastic support $\varnothing 40 \times 20$ 2 M8 M*	2	900281
17	Washer $\varnothing 8 \times 16$	20	900034
18	Screw TE M8x25	7	900333
19	Self lock nut M8	14	900027
20	No-stress support plate*	1	001060
21	No-stress Plus*	1	900555
22	Transmission shaft	1	B19003025
23	Key 18x8x60	1	900732
24	Solenoid support plate*	1	001061
25	Solenoid*	1	900487
26	Washer $\varnothing 5 \times 10$ *	8	900471
27	Screw TCEI M5x50*	4	900571
28	Self lock nut M5*	4	900702
29	Hinge	1	B19001009
30	Standard screen*	1	B19001026
30a	Intermediate screen*	1	001146
30b	Fine screen*	1	001147
31	Spring	1	900434
32	Key 12x8x35	1	900664
33	Ring	1	B19001035

* Optional item



Bio 235 T**TAB. 9 – Exhaust pipe**

Pos.	Description	No.	Code
1	Curve pipe	1	B19001015
2	Straight pipe	1	B19001008
3	Lock	3	B19001033
4	Screw TE M10x35	2	900442
5	Elastic washer \varnothing 10	2	900315
6	High nut M10	2	900470
7	Knob 6E M10x30	1	900208
8	Hand grip M10 M	1	B19001034
9	Lever	1	B19001013
10	Output casing	1	B19001012
11	Screw TE M8x20	2	900378
12	Washer \varnothing 8x16	2	900034
13	Self lock nut M8	2	900027
14	Washer \varnothing 6x12	1	900365
15	Screw TE M6x16	1	900366
16	High nut M6	1	900733
17	Knob 25x8	1	900009

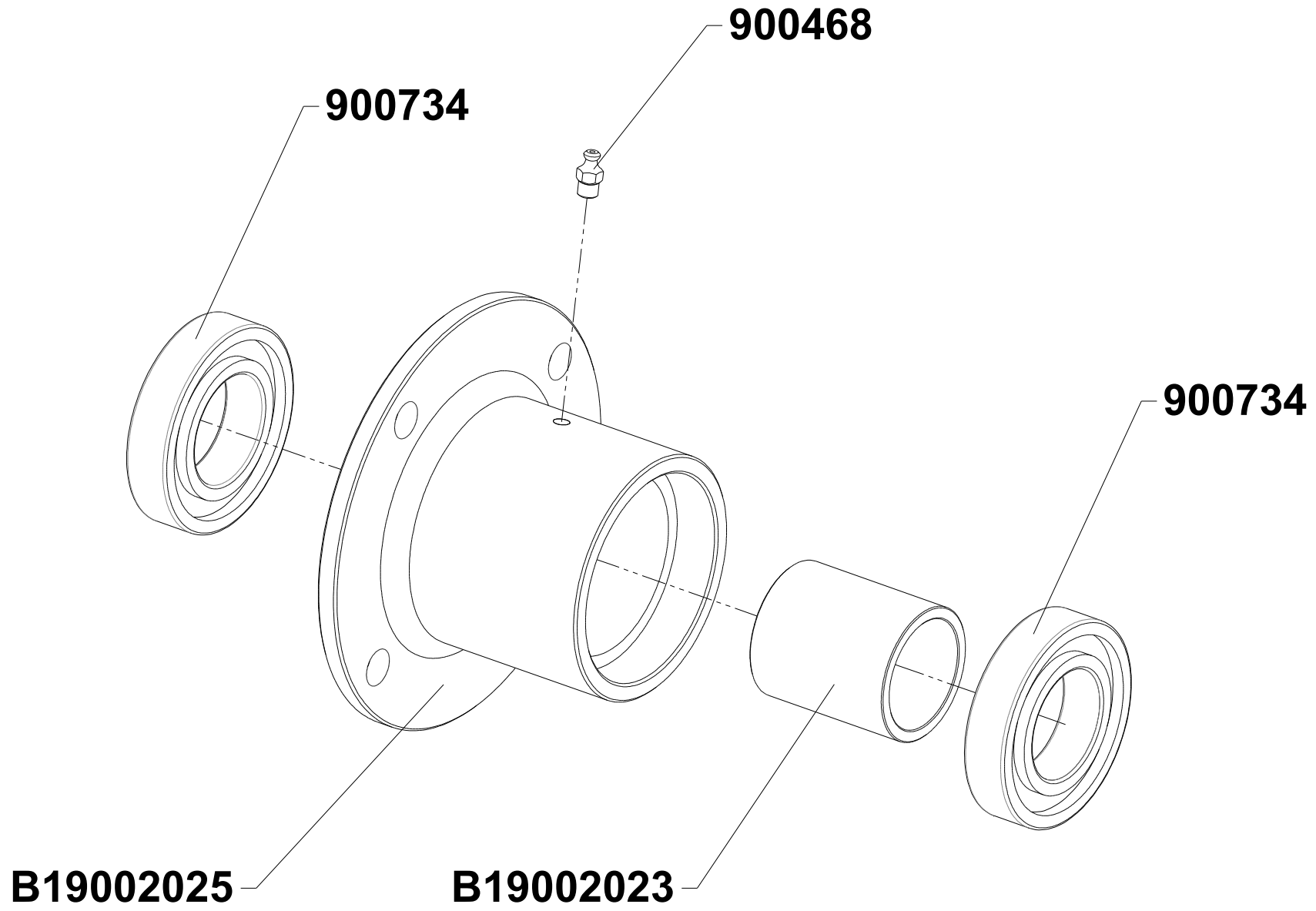


Bio 235 T

TAB. 10a – Transmission flange (Standard)



Pos.	Description	No.	Code
1	Transmission flange	1	B19002025
2	Spacer H=64	1	B19002023
3	Bearing 6209 2RS	2	900734
4	Greaser M8x1	1	900468



Bio 235 T

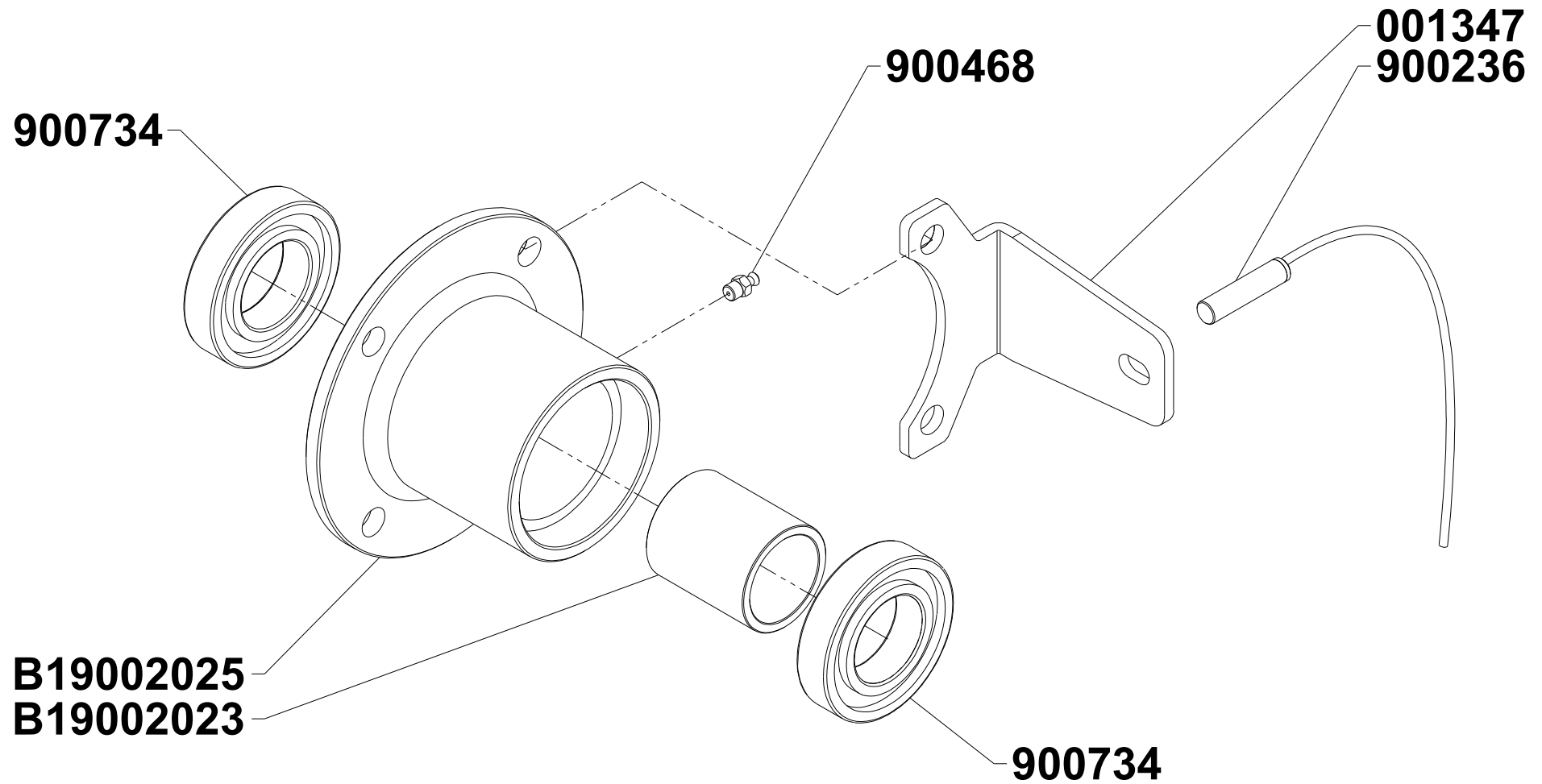
TAB. 10b – Transmission flange (No-stress)



Pos.	Description	No.	Code
1	Transmission flange	1	B19002025
2	Spacer H=64	1	B19002023
3	Bearing 6209 2RS	2	900734
4	Greaser M8x1	1	900468
5	Support sensor	1	001347
6	No-stress sensor	1	900236

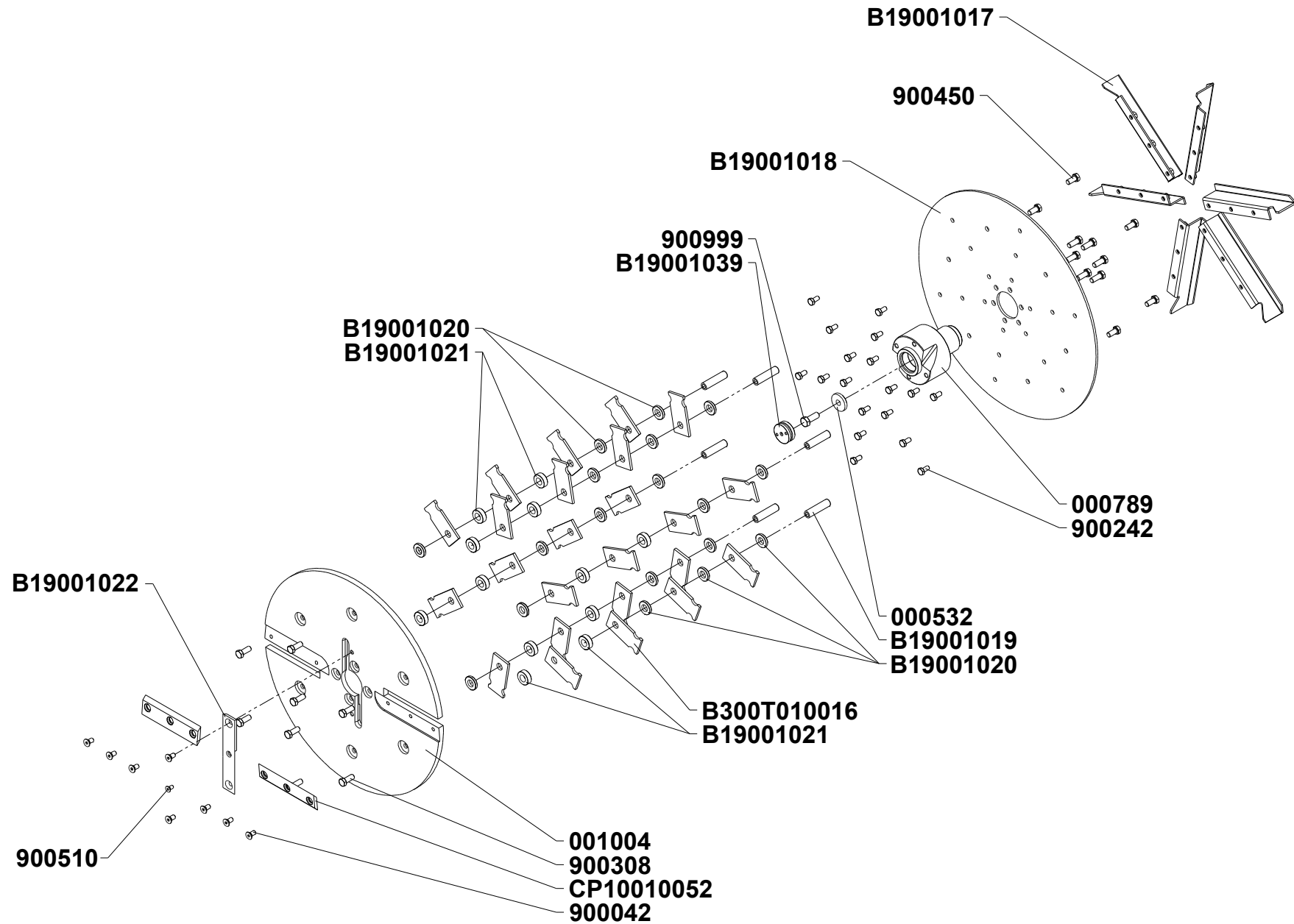
Bio 235 T

TAB. 10b – Transmission flange (No-stress)



Bio 235 T**TAB. 11 – Rotor Assembly**

Pos.	Description	No.	Code
1	Chipper disk (front)	1	001004
2	Chipper disk (rear)	1	B19001018
3	Aluminium plug	1	B19001039
4	Reinforced hub	1	000789
5	Central chipper blade	1	B19001022
6	Side chipper blade	2	CP10010052
7	Screw TSPEI M10x20	8	500018810
8	Screw TSPEI M8x20	1	900510
9	Screw TE M12x30	14	900308
10	Rod	6	B19001019
11	Screw TE M10x20	18	900242
12	Paddle	6	B19001017
13	Screw TE M12x25	6	900450
14	Spacer H=12	12	B19001021
15	Spacer H=6	18	B19001020
16	Hammer 6 mm	24	B300T010016
17	Hub lock	1	000532
18	Screw TE M14X35	1	900999



Bio 235 T

TAB. 12 – Pump Assembly



Pos.	Description	No.	Code
1	Oil tank	1	900075
2	Pump	1	900093
3	Spacer	1	000295
4	Pulley 1A 95	1	900735
5	Bush 1610 ø17	1	900736
6	Lever	1	B23003009
7	Washer ø10x20	1	900028
8	Self lock nut M10	1	900030
9	Pump fan	1	900255
10	Fan disk	1	000294
11	Screw UNF	1	900273

